



trident

RiX 70 DC

Intraoral X-Ray Unit

Technical Info



Date: 23/01/2018
Language: English
Rev: 1/2018
Code: IT04-EN.r1-RiX70 DC Infotec

DESCRIPTION AND INTENDED USE

RiX70 DC manufactured by Trident S.r.l., is a high frequency intraoral X-Ray unit used to obtain radiographs of the oral cavity that allow dentists to see inside a tooth and beneath the gums to assess the health of the bone and supporting tissues that hold teeth in place.

Images obtained with RiX70 DC help dentists diagnose and treat common problems, such as cavities, gum disease and some types of infections. The use of RiX70 DC involves exposing a part of the mouth to a small dose of ionizing radiation.

RiX-70 DC with a high technological development allows getting HD images using normal films or digital images receptors (intraoral sensor and phosphor plates).

The unit is available in two versions, wall mounted and mobile.

- Cod. RXDC70-60 X-Ray unit with extension arm 60cm
- Cod. RXDC70-80 X-Ray unit with extension arm 80cm
- Cod. RXDC70-M mobile version

Key Features

Micro-process controller functions

Exposure time from 0.01 to 2.0s

Exposure parameters automatic selection

Manually selection of exposure time, range from 0.01 to 2.0s according to R'20.

Anatomic digital selection between Child (small) and Adult (big)

Use of three different image receptors: traditional film, intraoral sensor or phosphor plates.

Low dose setting using digital sensor

Remote control with 3 meter spiral telephone cable

Optional remote timer (only for wall mount version)

GENERAL CHARACTERISTICS

Unit name	RiX70 DC
Manufacturer	Trident Srl Via Artigiani 4, Castenedolo, 25014 (BS) Italy
Classification according to Directive EC 93/42	Medical Unit Class II b
Applicable Standards	EN 60601-1:2005 EN 60601-1-2:2007 IEC 60601-2-65:2012
CND Classification	Z1 103040101
GMDN Nomenclature	42297

SYSTEM SUPPLY	
Line Voltage	AC100-240V
Frequency	50/60 Hz
Electric current	2.7 A @ 240V , 6.4 A @ 100V
Max Power Consumption	640VA
Fuse	3AT

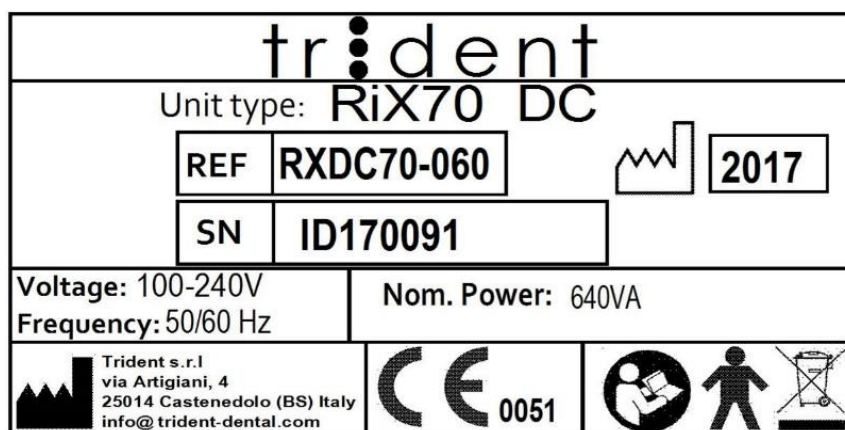
X-RAY GENERATOR	
Manufacturer	Trident S.r.l. Via Artigiani 4 25014, Castenedolo (BS) Italy
Tube Voltage	60 kVp \pm 8 % 65 kVp \pm 8 % 70 kVp \pm 8 %
Anodic current	7 mA \pm 10 %
Output radiation linearity	< 0.2 according to IEC 60601-2-63
Duty cycle	1:30
Nominal power	490 W (70 kVp - 7 mA)
Total filtration	1.5 mm Al eq. @ 70 kVp
Current transformer insulation	Oil bath
Cooling	As per convection
Focal spot	0.4 mm (IEC 60336)
Leakage radiation at 1 m	<0,1 mGy/h
Max thermal capacity of monoblock	130 J
Distance focus to skin	20 cm
Beam diameter X Ray at 200 mm focus	60 mm
Beam limiting device (additional)	Rectangular 36 x45 mm
Dose intensity accuracy	< 50%

X-RAY TUBE		
Manufacturer	Toshiba(Japan)	CEI (Italy)
Model	D-045	OX70-4
Inherent filtration	< 1 mm Al eq.	0.5 mm Al eq.
Target angle	20°	16°
Filament current	Max. 3 A	1.5 – 2.1 A
Max filament current	3 V	1.7 – 3.1 V
Anodic thermal capacity	4.3 kJ	7 kJ
Max anodic dissipation	100 W	110 W
X RAY beam covering at 200 mm from the focus	≥ ϕ 70 mm	
Focal spot	0.4 IEC 60336:2005	
Target material	Tungsten	
Max nominal voltage	70 kV	

WEIGHT	
Timer and remote control	4.00 kg
Timer and remote control for mobile	4.2 kg
Support arm 60 cm	3.5 kg
Support arm 80 cm	4.0 kg
Support arm 100 cm	4.5 kg
Scissor arm	10.5 kg
Timer fixing Support (for mobile)	0.9 kg
Stand base (for mobile)	10 kg
Stand column-112.5 cm (for mobile)	4.00 kg
Support and wheels (for mobile)	10 kg

PACKAGING		
Product	Weight (Kg)	Box Size (cm)
RiX 70 DC 60 cm arm	27.5	38 x 90 x 36
RiX 70 DC 80 cm arm	28	38 x 90 x 36
RiX 70 DC 100 cm arm	29	38 x 120 x 36
RiX 70 DC Mobile	58	38 x 120 x 36

MAIN LABEL

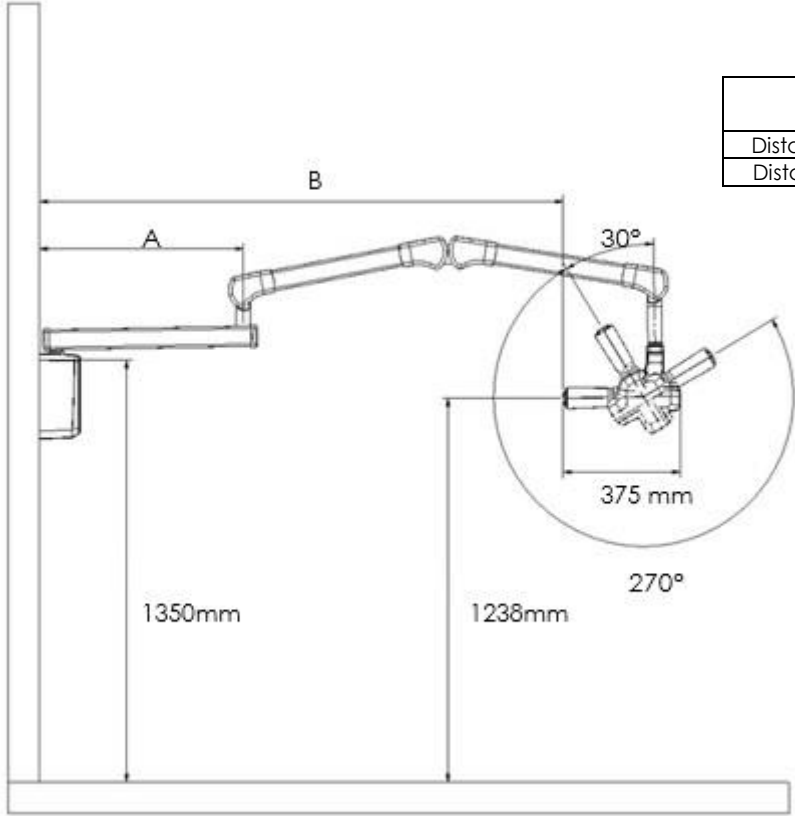


ENVIRONMENTAL CONDITIONS

Max operative temperature	+ 10° to + 40°
Operative humidity level	Max 80%
Operative atmospheric pressure	80 to 106 Pa (Max height ≤ 2000m lm)
Temperature range for transporting and storing	- 20° to + 70°
Max humidity level for transporting and storing	< 95%
Atmospheric pressure for transporting and storing	70 to 106 Pa

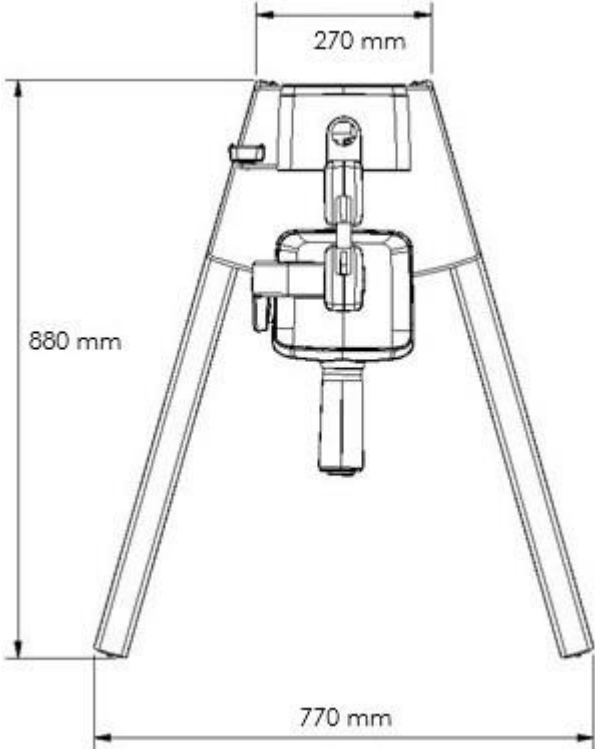
DIMENSION

Wall Mounted Version



	Arm length 600 mm	Arm length 800 mm
Distance A	600 mm	800mm
Distance B	1615 mm	1815 mm

Mobile Version



Wall Mounted Version



Mobile Version

