

Adjusting the Scissor Arm Spring:

XZeal Z70

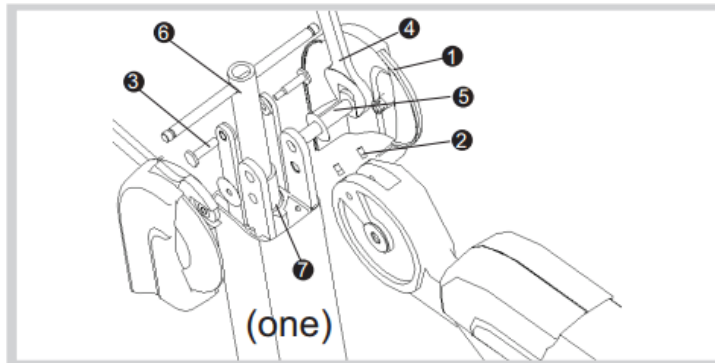


Fig. G

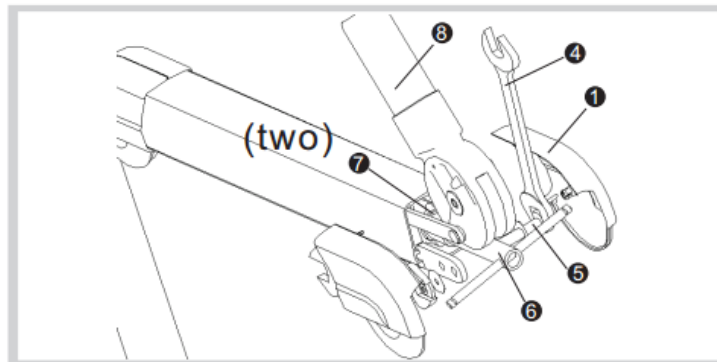


Fig. H

Arm I

- a- Open the plastic outer shell (1)
- b- Use the hexagon wrench to unscrew the screw (2); use the double open-end wrench 12*14 to take the little screw (3) off.
- c- Use double open-end wrench 17*19 (4) to take the long screw (5) and other parts off.
- d- Use the wrench (6) to adjust the nut (7): turn it clock wise, the spring will be pressed; vice versa.

Arm II

- a- Open the plastic outer shell (1)
- b- Use double open-end wrench 17*19 (4) to take the long screw (5) and other parts off, and turn the part (8) upwards.
- c- Use the wrench (6) to adjust the nut (7): turn it clockwise, the spring will be pressed; vice versa.

Tips:

When you adjust the spring, be careful to protect the appearance from being scratched.

WARNING: THIS PROCEDURE MUST BE DONE FOR A SPECIALIZED TECHNICIAN. WE ARE NOT RESPONSIBLE FOR ANY ACIDENT OR DAMAGE DURING THE PROCEDURE